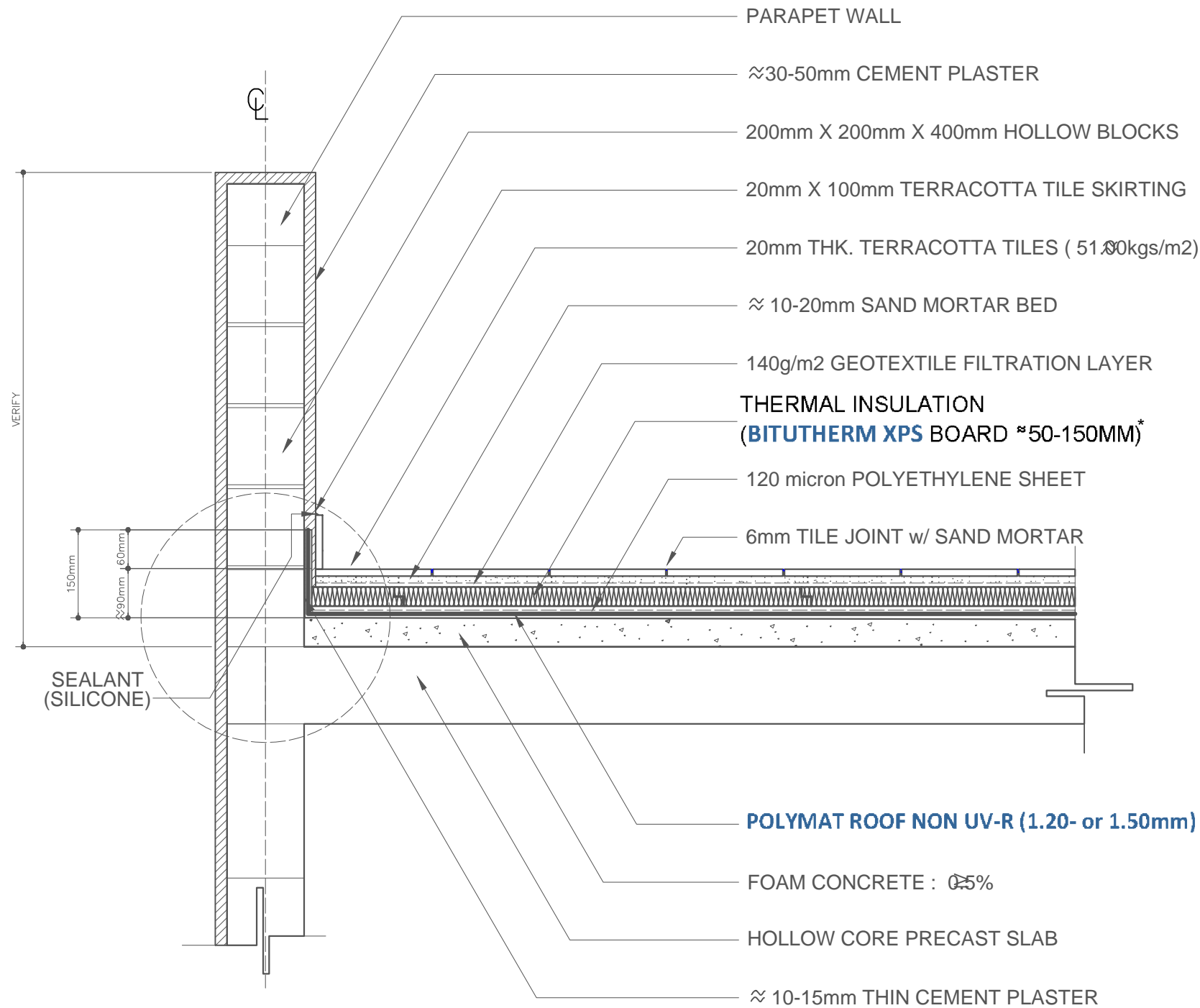


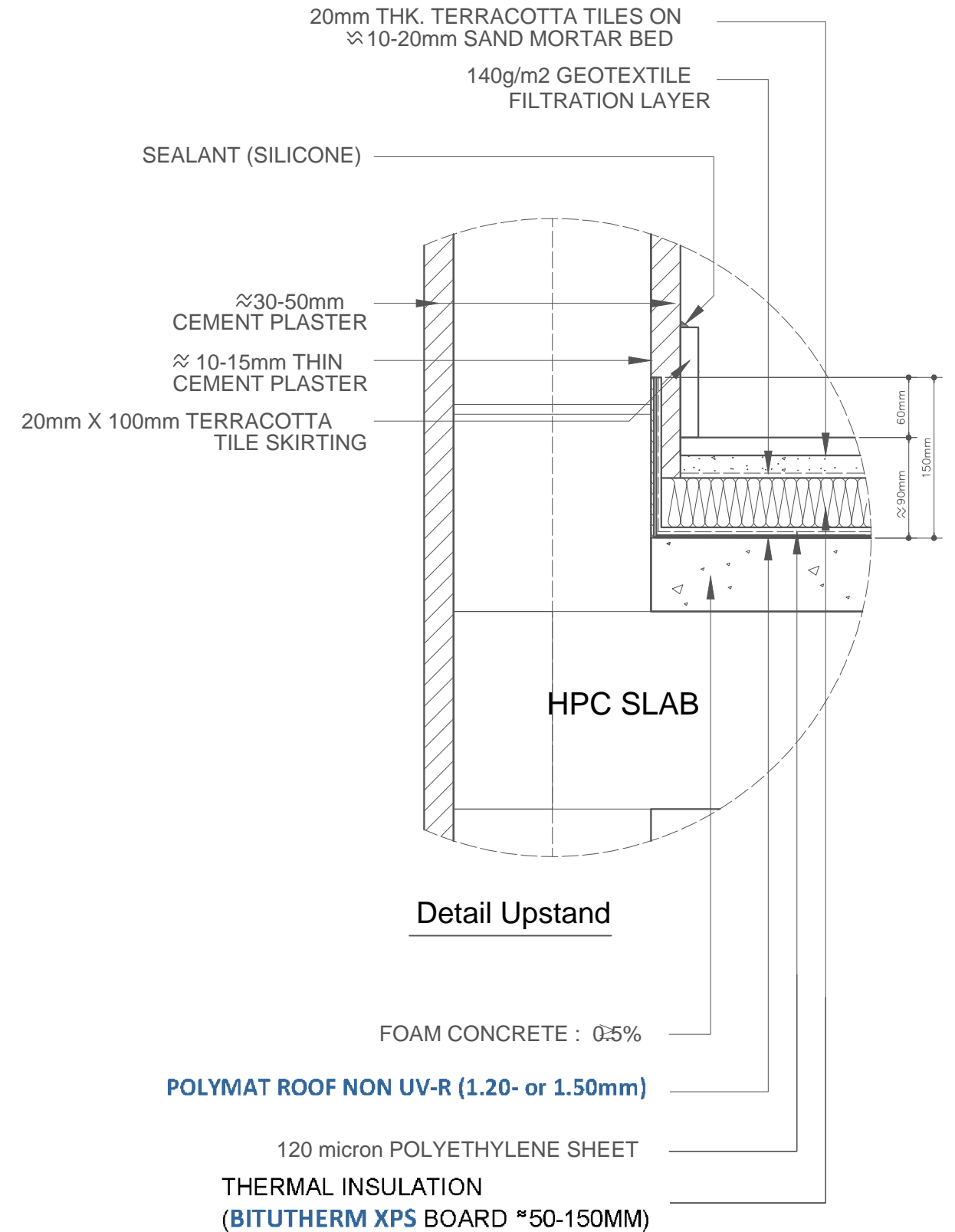
2
A-01

POLYMAT ROOF

INVERTED ROOF Upstand with Tile Skirting



Section



Detail Upstand

* 100mm = 2x50mm BITUTHERM XPS Staggered Laying
150mm = 2x75mm BITUTHERM XPS Staggered Laying

DRAWING TITLE	REMARKS	REVISION	DRAWN BY :	DWG. No.
POLYMAT PVC - SINGLE PLY (Inverted Roof) UPSTAND WITH TILE SKIRTING	- INVERTED ROOF-TERRACOTTA TILE FINISH - 20mm x 100mm TILE SKIRTING	0.0	CHECKED BY :	MS.01.02-07
SHEET CONTENTS : ROOFING SYSTEM DETAIL			DATE :	
			REF. NO.	